

# **SAA-1 Series**

## **Single-Mode FC ADAPTOR**

### **TECHNICAL SPECIFICATIONS**

**Seiko Instruments Inc.**

Components Headquarters

8, Nakase 1-Chome

Mihama-ku, Chiba-shi, Chiba-ken

261-8507 JAPAN

Telephone : 043-211-1211

Facsimile : 043-211-8039

SAA-1 Series Single-Mode FC ADAPTOR  
TECHNICAL SPECIFICATIONS

Document Number [NCD-5DC2-02](#)

NAE63D01 " SAA-1 Part "	May 1986
NAE63D02 " SAA-1 Part "	September 1986
SSA930305	March 1993
39055-2016-01	September 1993
NCD-5DC2-01	December 1995
NCD-5DC2-02	February 2001

Copyright 1986, 1993, 1996, 2001 by Seiko Instruments Inc.  
All right reserved.

The information contained herein shall not reproduced or disclosed to any third party without the express written consent of **SII**.

The Specifications contained herein are subject to change without notice.

**SII** is a trademark of Seiko Instruments Inc.

Please address any questions, comments, and suggestions to:

**Seiko Instruments USA Inc.**

Electronics Components Division  
2990 West Lomita Boulevard  
Torrance, CA 90505, U.S.A.  
Phone: 310-517-7780  
Fax: 310-517-7792

**Seiko Instruments GmbH**

OFC Division  
Siemensstraße 9b  
D-63263 Neu-Isenburg, Germany  
Phone: 06102-297-0  
Fax: 06102-297-211

**Seiko Instruments (H.K.) Ltd.**

Sales Department  
4th & 5th Floor, Wyler Center 2  
200 Tai Lin Pai Road, Kwai Chung  
N.T., Kowloon, Hong Kong  
Phone: 852-2421-8611  
Fax: 852-2480-5479

**Seiko Instruments Taiwan Inc.**

Sales Department  
5F-1, No.99, Sec. 2, Chung Shan  
Rd.  
Taipei 104, Taiwan, R.O.C.  
Phone: 02-563-5001, 523-5111  
Fax: 02-521-9519

**Seiko Instruments Singapore pte. Ltd.**

2, Marsiling Lane,  
Woodlands New Town,  
Singapore, 2573, Singapore  
Phone: 65-2691370  
Fax: 65-2699729

## TABLE OF CONTENTS

Section		Page
1	PROVISION	1
1.1	Application limit	1
2	PARTS NUMBER	1
3	GENERAL SPECIFICATIONS	2
3.1	Parts and Materials	2
3.2	Physical Dimensions	2
3.3	General Tolerances	2
3.4	Insertion Loss	2
4	PACKING	3
5	SHIPPING INSPECTION	3

### Table

Table 1	Parts Number	1
Table 2	Parts and Materials	2
Table 3	General Tolerance	2
Table 4	Insertion Loss and Measurement Conditions	3

### Figure

Figure 1	Insertion Loss Measurement System	2
Figure 2	SAA-1 FC Adaptor	4
Figure 3 to 4	Parts Dimensions	5



1 PROVISION

1.1 Application Limit

These specifications apply to the SAA-1 Single-mode FC adaptor supplied by SII.

2 PARTS NUMBER

Parts Number of the adaptor is shown in Table 1.

Table 1 Parts Number

MODEL Number		TYPE Number				
SAA-1		1	2	2	0	0

Slit Sleeve	
1	Phosphor Bronze
2	Zirconia

Marking	
2	SAA-1 JAPAN <b>SII</b>

Cap	
1	White ( Plastic )
2	Red Rubber

(Required)	
0 0	

### 3 GENERAL SPECIFICATIONS

#### 3.1 Parts and Materials

Parts and the materials are shown in Table 2.

Table 2 Parts and materials

No.	Part Name	Qty	Material	Notes
①	Housing A	1	Brass	Nickel Plating
②	Sleeve	1	Brass	Nickel Plating
③-1	Slit Sleeve	1	Phosphor Bronze	-
③-2			Zirconia Ceramics	
④	Spacer	1	Brass	Nickel Plating
⑤	Housing B	1	Brass	Nickel Plating
⑥	Screw	2	Brass	Nickel Plating
⑦-1	Cap	(2)	Synthetic Rubber	Red
⑦-2			POM	White

#### 3.2 Physical Dimensions

Figure 2 shows the SAA-1 FC Adaptor.

Figure 3 to 4 shows the part dimensions.

♦ In accordance with JIS C5970 F01 type connectors

#### 3.3 General Tolerances

Permissible deviation in dimensions without tolerance indication is in accordance with JIS B 0405 class m, as shown in Table 3.

Table 3 General tolerance (JIS B 0405 class m)

Basic size step [mm]		Permissible deviation [mm]
Over	Under	
0.5	3	±0.1
3	6	±0.1
6	30	±0.2

#### 3.4 Insertion Loss

Insertion loss of the adaptor and measurement conditions are shown in Table 4.

Figure 1 shows the measurement system.

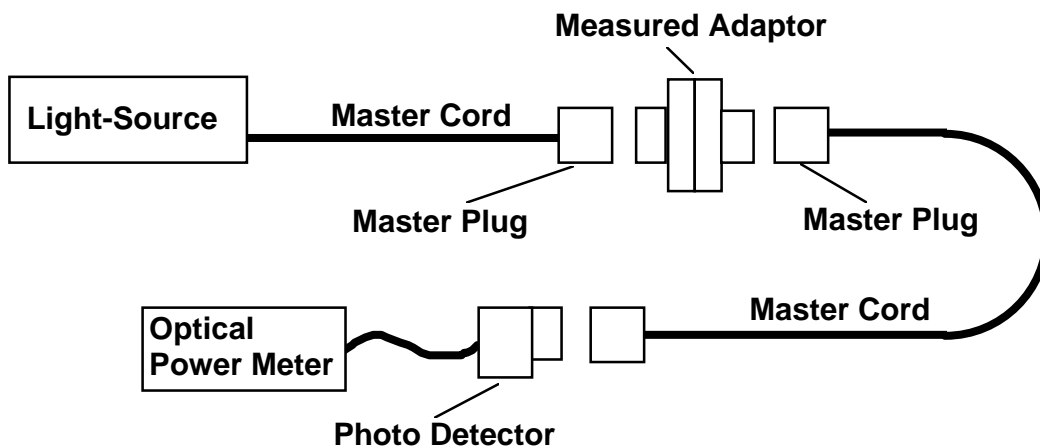


Figure 1 Insertion loss Measurement System

Table 4 Insertion Loss and Measurement Conditions

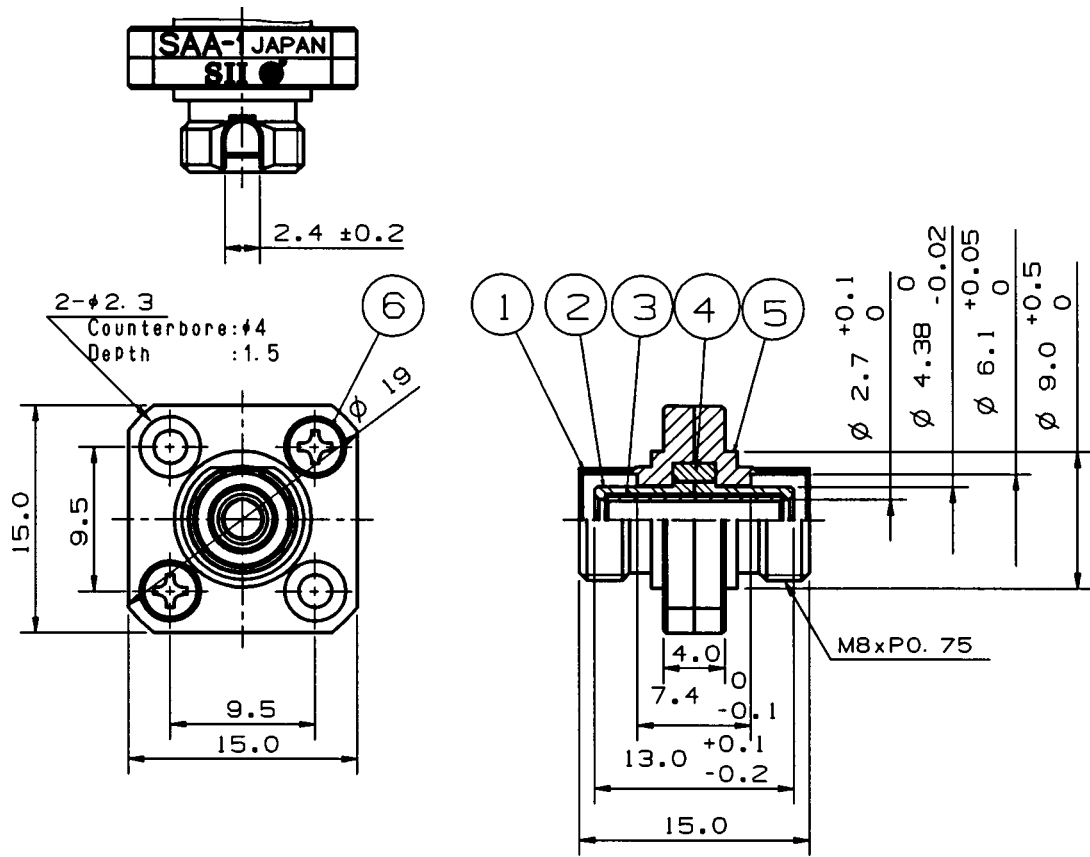
Parts Number		SAA-1 □ 2200
Insertion Loss		0.4 dB or less
Conditions	Light Source	LD
	Wave Length	1.31 μm
	Master Cord Terminated	PC Polishing

4 PACKING

The product is packed to prevent damage during shipment.

5 SHIPPING INSPECTION

Insertion loss of the adaptor is inspected before shipping.



Unit: mm

Figure 2 SAA-1 FC Adaptor



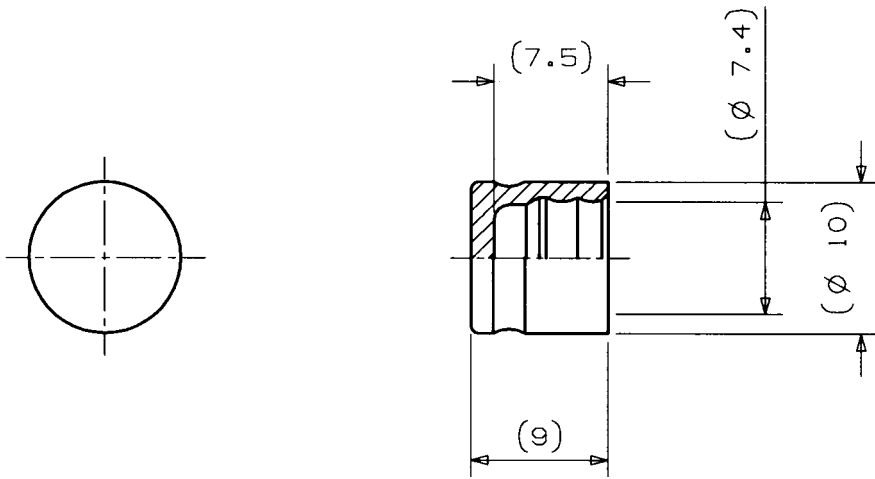


Figure 3 ⑦-1 Cap

Unit: mm

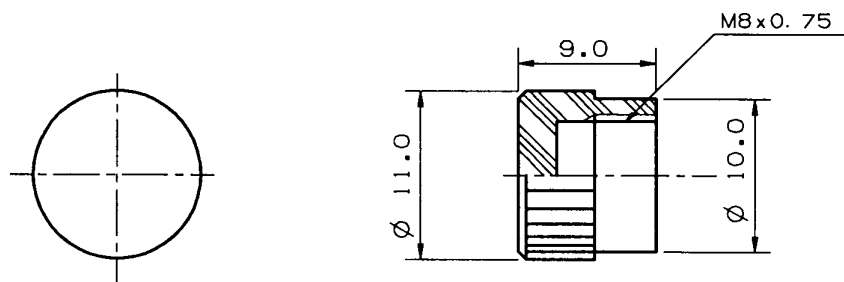


Figure 4 ⑦-2 Cap

Unit: mm