

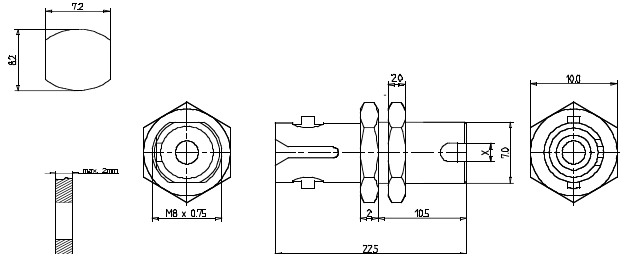


# SUHNER FIBEROPTIC HYBRID ADAPTERS OVERVIEW

## FST-FCPC

- Slotted zirconia ceramic sleeve
- For SM and MM connector
- Temperature range: -40°C to +85°C
- Service life: min. 1000 cycles
- (x): groove width: standard 2.15mm; upon request 2mm

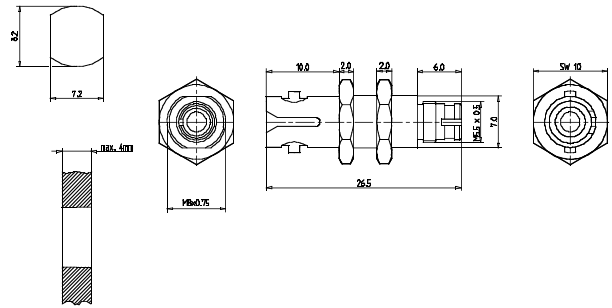
• **Order no.: FST-FCPC-B100**



## FST-FLSA

- Slotted zirconia ceramic sleeve
- For SM and MM connector
- Temperature range: -40°C bis +85°C
- Service life: min. 1000 cycles

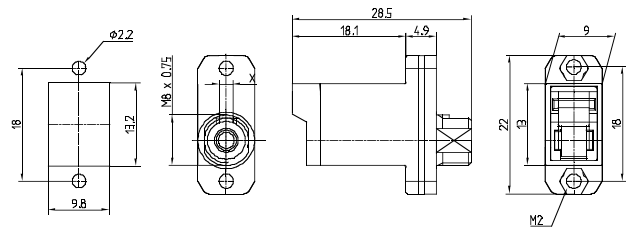
• **Order no.: FST-FLSA-C100**



## FLSH-FCPC

- Slotted zirconia ceramic sleeve; standard coded
- For SM, MM and HRL connector (APC 8°)
- Temperature range: -25°C bis +70°C
- Service life: min. 500 cycles
- (x): groove width: standard 2.15mm; upon req. 2mm

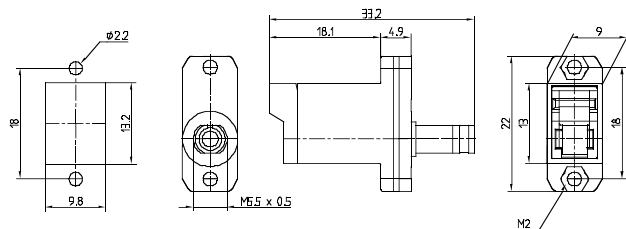
• **FLSH-FCPC-D101 (SM) blue, 2.15mm**  
• **FLSH-FCPC-D601 (HRL) green, 2.15mm**  
• **FLSH-FCPC-D602 (HRL) green, 2mm**



## FLSH-FLSA

- Slotted zirconia ceramic sleeve; standard coded
- For SM, MM and HRL connector (APC 8°)
- Temperature range: -25°C bis +70°C
- Service life: min. 500 cycles

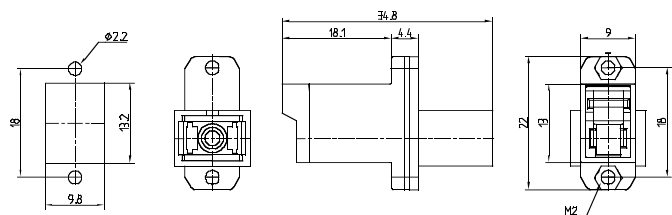
• **Order no.:**  
• **FLSH-FLSA-D101 (SM) blue**  
• **FLSH-FLSA-D601 (HRL) green**



## FLSH-FSC

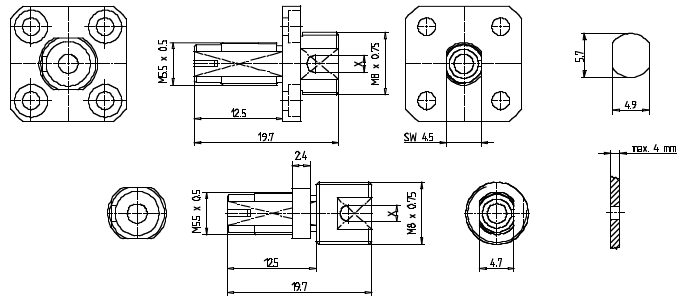
- Slotted zirconia ceramic sleeve; standard coded
- For SM, MM and HRL connector (APC 8°)
- Temperature range: -25°C bis +70°C
- Service life: min. 500 cycles

• **Order no.:**  
• **FLSH-FSC-D101 (SM) blue**  
• **FLSH-FSC-D601 (HRL) green**



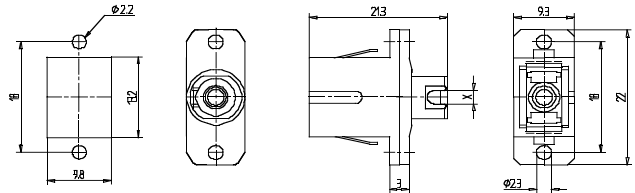
### FCPC-FLSA

- Slotted zirconia ceramic sleeve
- For SM, MM and HRL connector (APC 8°)
- Temperature range: -40°C bis +85°C
- (x): groove width: standard 2.15mm; upon request 2mm
- Service life: min. 1000 cycles
- **Order no.: FCPC-FLSA-E100**



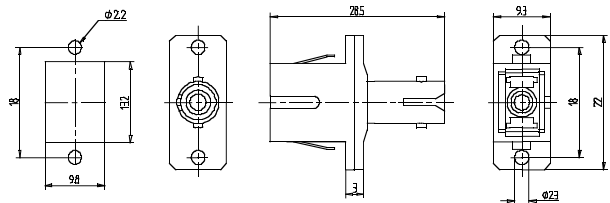
### FSC-FCPC

- Slotted zirconia ceramic sleeve
- For SM, MM and HRL connector (APC 8°)
- Temperature range: -25°C bis +70°C
- (x): groove width: standard 2.15mm; upon request 2mm
- Service life: min. 500 cycles
- **Order no.: FSC-FCPC-D101**



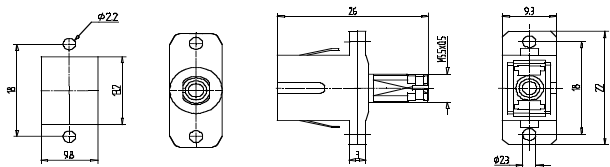
### FSC-FST

- Slotted zirconia ceramic sleeve
- For SM, MM and HRL connector (APC 8°)
- Temperature range: -25°C bis +70°C
- Service life: min. 500 cycles
- **Order no.: FSC-FST-D100**



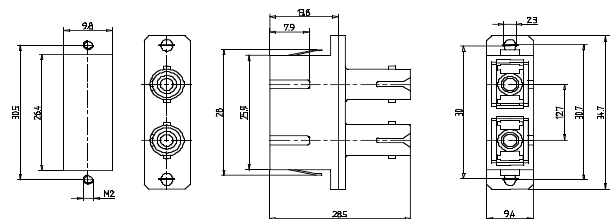
### FSC-FLSA

- Slotted zirconia ceramic sleeve
- For SM, MM and HRL connector (APC 8°)
- Temperature range: -25°C bis +70°C
- Service life: min. 500 cycles
- **Order no.: FSC-FLSA-D100**



### FSC-FST Duplex

- Slotted zirconia ceramic sleeve
- For SM and MM connector
- Temperature range: -25°C bis +70°C
- Service life: min. 250 cycles
- **Order no.: FSC-FST-D200-02**



Waiver !  
While the information contained has been carefully compiled to the best of our present knowledge, it is not intended as representation or warranty of any kind on our part regarding the fitness of the products concerned for any particular use or purpose and neither shall any statement contained herein be construed as a recommendation to infringe any industrial property rights or as a license to use an such rights. The fitness of each product for any particular purpose must be checked beforehand with our specialists.



HUBER+SUHNER AG  
Fiberoptic Division  
9100 Herisau, Switzerland  
Phone +41 (0)71 353 41 11  
Fax +41 (0)71 353 46 47  
www.hubersuhner.com