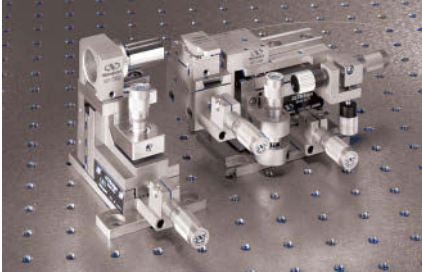


# 561/562 Series ULTRAlign™ Fiber Alignment Accessories



## Ordering Information

Model (Metric)	Description
561-FH	Bare Fiber Holder for 125 μm Fibers
561-FC	Fiber Chuck Holder, 0.25 inch, 561 Series
561-RFC	Fiber Chuck Rotation Mount
561-GM	Gimbal Fiber Chuck Positioner, 561 Series
561-FCH	FC Connectorized Fiber Holder
561-SCH	SC Connectorized Fiber Holder
561-LCH	LC Connectorized Fiber Holder, 561 Series
561-FCA3	SMA Connectorized Fiber Holder with Rotation
561-FCA4	FC Connectorized Fiber Holder with Rotation
561-FCA6	ST Connectorized Fiber Holder with Rotation
561-FCA9	SC Connectorized Fiber Holder with Rotation
561-MM	Optical Module Mount, 561 Series
561-V1	V-Groove Module, 1–1.75 mm
561-V2	V-Groove Module, 2–2.75 mm
561-V3	V-Groove Module, 3 & 3.25 mm
561-BL1	Ball Lens Module, 1 mm, 561 Series
561-BL2	Ball Lens Module, 2 mm, 561 Series
561-BL3	Ball Lens Module, 3 mm, 561 Series
561-GR	Gradient Index (GRIN) Lens Mount, 561 Series
561-OBJ	Objective Lens Mount
561-VH	Vacuum Waveguide Mount
561-UM (M-561-UM)	Universal Module, 561/562 Rail
561-GBM	Blank, GRIN Lens Mount, 561 Series
561-OBM	Blank, Objective Lens Mount
561-UST	561 Fixed Platform, Universal Stand
561-TS	561 Fixed Platform, Narrow Profile T-Stand
562-UST	562 Fixed Platform, Universal Stand
562-TS	562 Fixed Platform, Narrow Profile T-Stand
561-ADPT	Adaptor, Raises 561 Stage to 562 Height
561-PCH	Photonic Crystal Fiber Mount Kit
561-PCH-M	Photonic Crystal Fiber Mount
561-PCH-V	Photonic Crystal Fiber V-Block
FPH-S-.175	Photonic Crystal Fiber Chuck
561-RAIL-1	Dovetail rail for ULTRAlign positioning system; 25.4 mm length
562-RAIL-3.7	562 Dovetail Rail for 562F-TILT Stages



Bare fiber holder—561-FH

### Bare Fiber Holder

- Improved design for 125 μm diameter bare fibers
- Fiber gently held in precision V-groove

Fiber chuck holder—561-FC

### Fiber Chuck Holder

- Designed to hold 0.25 in. (6.35 mm) diameter fiber chucks
- Mounts all Newport fiber chucks (see page 460)



Fiber chuck rotation mount—561-RFC

### Fiber Chuck Rotation Mount

- Designed to hold 0.25 in. (6.35 mm) diameter fiber chucks
- Rotation of 360° in  $\theta_x$ , Sensitivity of 2°



Gimbal fiber chuck positioner—561-GM

### Gimbal Fiber Chuck Positioner

- Designed to hold 0.25 in. (6.35 mm) diameter fiber chucks
- Rotation of 360° in  $\theta_x$ , Tilt of  $\pm 5^\circ$  in  $\theta_y\theta_z$
- Sensitivity of 2° in  $\theta_x$ ,  $\pm 12$  arc sec in  $\theta_y\theta_z$



Connectorized fiber holder  
 561-FCH (for FC connector)  
 561-SCH (for SC connector)  
 561-LCH (for LC connector)

### Connectorized Fiber Holders

- Mounts FC, SC, or LC connectorized fibers



Connectorized fiber holder with rotation  
 561-FCA3 (for SMA connector)  
 561-FCA4 (for FC connector)  
 561-FCA6 (for ST connector)  
 561-FCA9 (for SC connector)

### Connectorized Fiber Holders with Rotation

- Mounts SMA, FC, ST, or SC connectorized fibers
- Fiber can be rotated 360° in holder



Photonic Crystal Fiber Kit includes mount, v-groove and fiber chuck—561-PCH

### Photonic Crystal Fiber Mount

- Designed to hold short lengths of Photonic Crystal Fiber
- V-groove accepts 120-160  $\mu\text{m}$  diameter bare fibers
- Small fiber chuck accepts 80-200  $\mu\text{m}$  diameter bare fibers



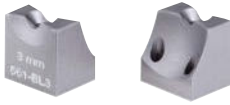
Module Mount—561-MM

### Module Mount

- Accepts modules for holding ball lenses, GRIN lenses, fiber collimators, and fiber ferrules
- Optics and devices are gently held in modules



V-Groove Modules—561-V1, 561-V2, and 561-V3



Ball Lens Modules—561-BL1, 561-BL2, and 561-BL3



Gradient index (GRIN) lens mount—561-GR



Objective lens mount—561-OBJ



Vacuum waveguide mount—561-VH



Universal module—561-UM (M-561-UM)



Blank, GRIN lens mount—561-GBM



Blank, objective lens mount—561-OBM

## V-Groove Modules

- Modules for holding 1 to 3.25 mm diameter cylindrical devices
- Ideal for GRIN lenses, fiber collimators, and fiber ferrules
- Gently held in 561-MM Module Mount

## Ball Lens Modules

- Modules for holding 1, 2, or 3 mm diameter ball lenses
- Gently held in 561-MM Module Mount

## Gradient Index (GRIN) Lens Mount

- Mounts GRIN lenses up to 4.5 mm diameter
- Lenses held in a V-groove with a nylon-tipped setscrew

## Objective Lens Mount

- Mounts microscope and laser diode objective lenses
- Standard 0.800-36 RMS thread

## Vacuum Waveguide Mount

- One to eight vacuum ports can be used to mount small to large devices
- Requires a user supplied vacuum pump

## Universal Module

- Use to mount custom component holders on the 561/562 rail

## Blank Mounts

- Machine to create custom component holders to mount on 561/562 rail

## Universal Stand

- Fixed platform to mount a component next to a positioning stage

MANUAL  
LINEAR STAGES



Universal stand—561-UST



Universal stand—562-UST

VERTICAL  
POSITIONING



T-stand—561-TS



T-stand—562-TS

MANUAL ROTATION  
AND TILT STAGES



561 to 562 Height adaptor—561-ADPT

MANUAL  
ACTUATORS

MANUAL FIBER  
ALIGNMENT STAGES

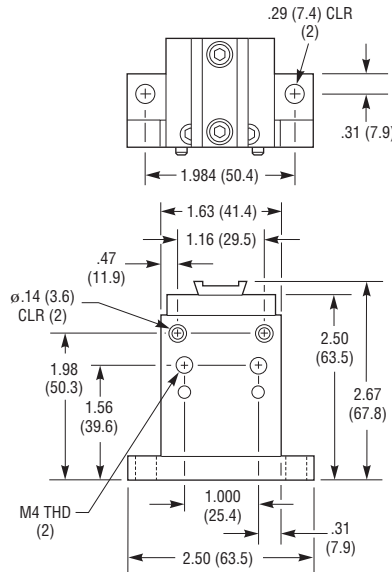
### T-Stand

- Fixed platform to mount a component between two positioning stages

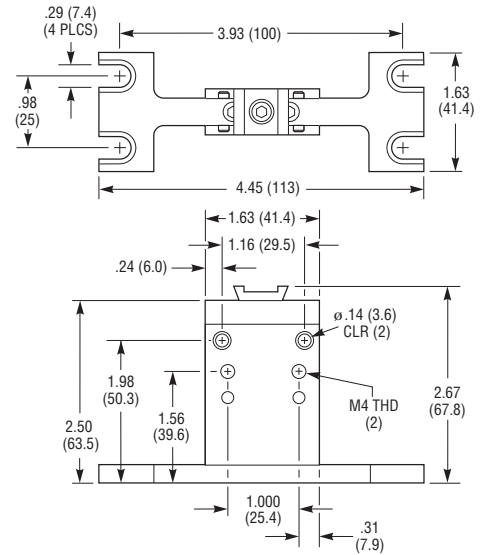
### 561 to 562 Height Adaptor

- Raises 561 stages to 562 stage height
- For use with 561-XYZ and 561-YZ

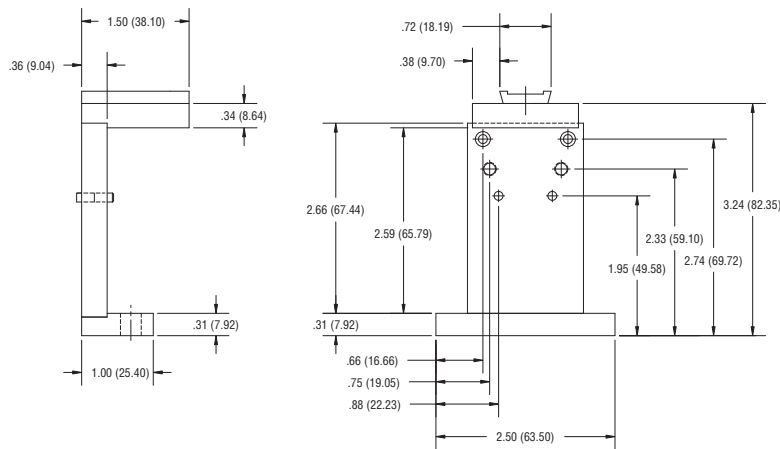
### Model 561-UST



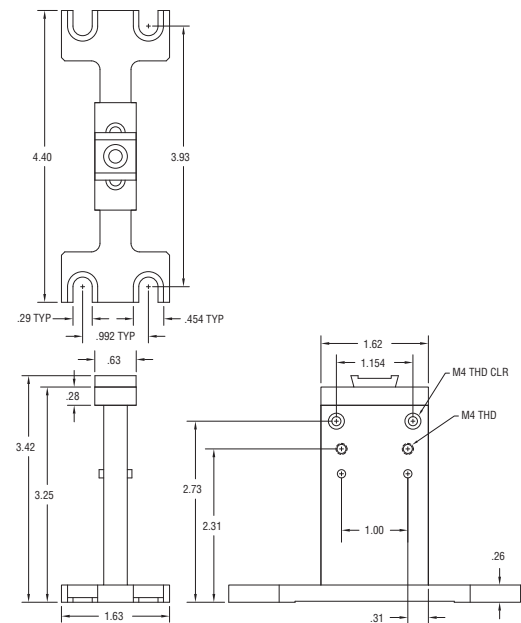
### Model 561-TS



### Model 562-UST



### Model 562-TS



For additional drawings of these products, see [www.newport.com](http://www.newport.com).