



Polarization Insensitive Tap Isolator

(TAPI Series)

The Polarization Insensitive Tap Isolator combines a tap coupler and polarization insensitive isolator into a single compact package. It has low PDL and very low insertion loss variation. The component is ideally suited for fiber amplifier and fiberoptic system where signal monitoring is required.

Specifications

Parameters	Unit	Single Stage	Dual Stage
Center Wavelength	nm	1310 or 1550	
Typ. Peak Isolation	dB	40	55
Min. Isolation at 23°C; $\lambda \pm 15\text{nm}$, all polarization states	dB	30	45
Typ. Insertion Loss* at 23°C; $\lambda \pm 20\text{nm}$, all polarization states	dB	0.45	0.6
Max. Insertion Loss* at -5°C-70°C; $\lambda \pm 20\text{nm}$, all polarization states	dB	0.6	0.8
Max.PDL (1 to 3 and 1 to 2)	dB	0.1	0.15
Max.PMD (1 to 3)	ps	0.25 ¹	0.1
Min Directivity (3 to 2)	dB	60	
Min. Return Loss (Input/Output)	dB	55/55	
Coupling Ratio & Tolerance**	%	1.0 \pm 0.2 or Specify	
Max. Optical Power	mW	300	
Max. Tensile Load	N	5	
Fiber Length		1	
Fiber Type	m	SMF-28 Fiber	
Operating Temperature	°C	-5 to +70	
Storage Temperature	°C	-40 to +85	

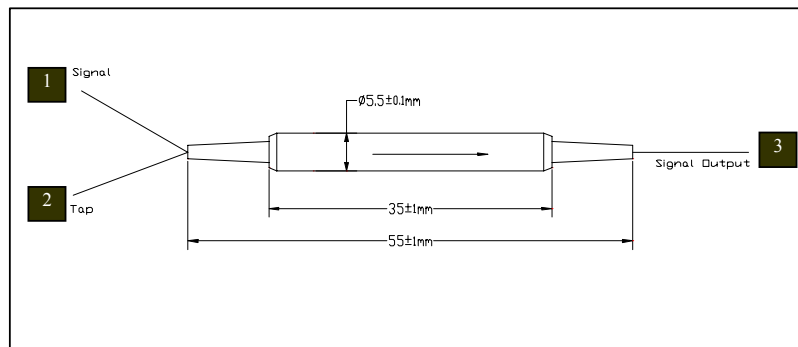
*Specs are only for 1% tap ratio. **Customized coupling ratio is available.

¹ Low PMD version is available. PMD<0.05ps

*Above specifications are for device without connector

*For devices with connectors, IL will be 0.3dB higher, RL will be 5dB lower.

Package Dimensions



Ordering Information

TAPI-①-②②-③③-④-⑤-⑥-⑦

①: Stage

1-Single Stage

2-Dual Stage

④: PMD

1 - 0.05ps max.

2 - Refer to above spec.

⑥: Fiber Type

B - 250um bare fiber

L - 900um loose tube

S - Specify

②②: Wavelength

31 - 1310nm

48 - 1480nm

55 - 1550nm

SS - Specify

⑤: Connector Type

1 - FC/UPC

2 - FC/APC

3 - SC/UPC

4 - SC/APC

5 - LC/UPC

6 - ST/UPC

N - None

S - Specify

⑦: Fiber Length

1 - 1.0 m

S - Specify

③③: Coupling Ratio

01 - 1/99

SS - Specify