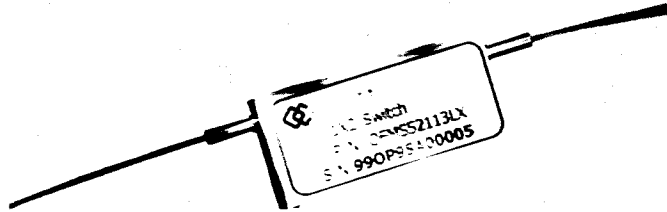




Optical Fiber Mechanical Switches

OFMS 1x2 Series



Features

- Wide Operating Wavelength Range
- Compact Package
- Low Insertion Loss
- High Channel Isolation
- Highly Stable & Reliable
- Epoxy-Free Optical Path

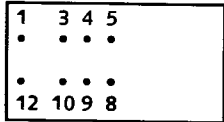
Applications

- Configurable Add/Drop
- Metropolitan Area Networks
- System Monitoring
- Laboratory R&D

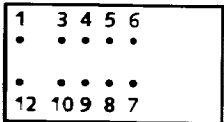
Performance Specifications

OFMS 1x2 Series	
Operating Wavelength (nm)	1260 ~ 1360, 1500 ~ 1600
Insertion Loss (dB)	< 0.5
Polarization Dependent Loss (dB)	< 0.07
Return Loss (dB)	> 55
Cross Talk (dB)	> 60
Repeatability (dB)	±0.02
Switch Time (ms)	< 10
Maximum Optical Power (mW)	300
Durability	10 million
Fiber Type	900 μm Loose Tube
Fiber Length (mm)	1000 ± 100
Operating Temperature (°C)	-20 ~ 75
Storage Temperature (°C)	-40 ~ 85
Electric Power	5 × (1 ± 5%) VDC/31mA Latching type
Dimension (mm)	42 (W) × 20 (H) × 10 (D)

Type 1



Type 2



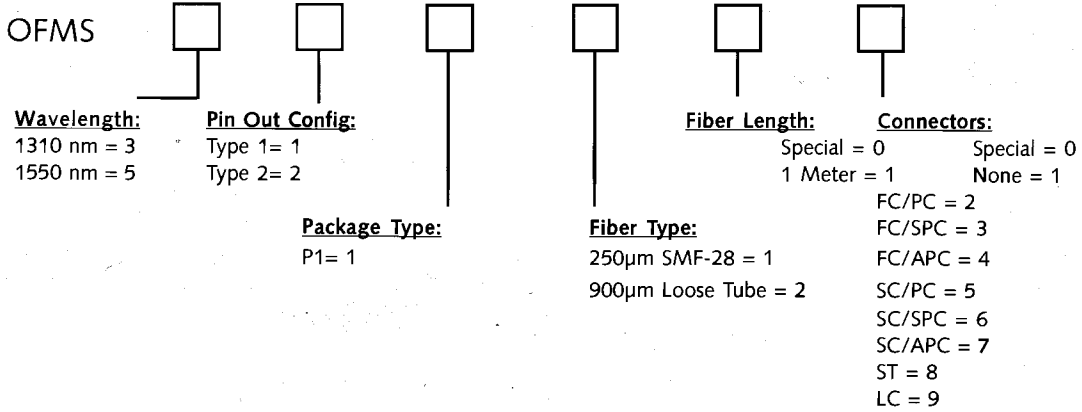
Electrical Connector Configuration

Optics Path	Electrical Drive			Contacts Status		
	Pin 1	Pin 12	Pin 4-3	Pin 4-5	Pin 9-8	Pin 9-10
1-2	+5 VDC	Gnd	Open	Closed	Closed	Open
1-3	Gnd	+5 VDC	Closed	Open	Open	Closed

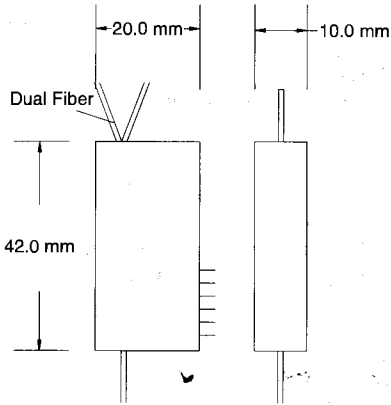
Optics Path	Electrical Drive				Contacts Status			
	Pin 1	Pin 6	Pin 7	Pin 12	Pin 4-3	Pin 4-5	Pin 9-8	Pin 9-10
1-2	+5VDC	Gnd	N/A	N/A	Open	Closed	Closed	Open
1-3	N/A	N/A	Gnd	-5VDC	Closed	Open	Open	Closed

Ordering Information

Standard Opto-mechanical Switches are specified below with appropriate part number options. If you require devices different than these standard devices, please contact our local Oplink Distributor, Sales Representative, or Factory Customer Service for ordering and price information.



Package Dimensions:



Optical Spectra:

