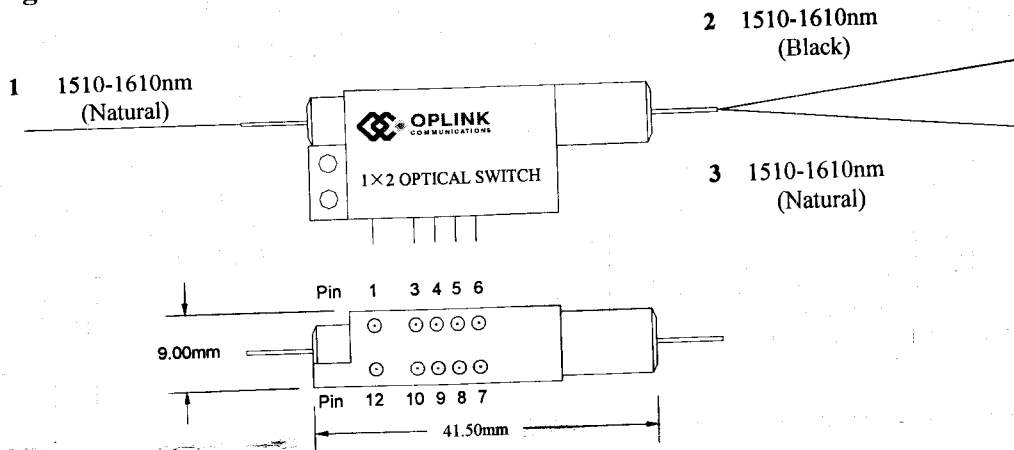


# Final Inspection Report

1. S/O : 1009690  
 2. P/N : OFMS1200EHSOR01(Oplink Spec.#3867, Rev.01)  
 3. S/N : Z4312459  
 4. Configuration:



5. Fiber Type: 250µm SMF-28 Bare Fiber  
 6. Fiber Length: 1.0 ± 0.1 m  
 7. Connectors: Port 1:LC/APC, Port 2&3: None  
 8. Performance (@23 ± 3 °C, With Connector):

Operating Wavelength		1510-1610nm						
Max. Insertion Loss (dB)	1-2 (1510-1610nm,0-70°C,All SOP)	0.31						
	1-3 (1510-1610nm,0-70°C,All SOP)	0.65						
Max. WDL (dB)	1-2(1510-1610nm,0-70°C)	0.08						
	1-3(1510-1610nm,0-70°C)	0.06						
Max. PDL (dB)	1-2(1550nm,0-70°C)	0.01						
	1-3(1550nm,0-70°C)	0.01						
TDL (dB)	1-2(1550nm,0-70°C)	0.05						
	1-3(1550nm,0-70°C)	0.13						
Crosstalk (dB)		65						
Return Loss (dB)		55						
Switching Time (ms)		≤10						
Operating Voltage (V)		4.0~5.0						
Optical Path	Electrical Drive				Status Sensor			
	Pin1	Pin6	Pin7	Pin12	Pin4-3	Pin4-5	Pin9-8	Pin9-10
1-2	V+	Gnd	N/A	N/A	Open	Closed	Closed	Open
1-3	N/A	N/A	Gnd	V+	Closed	Open	Open	Closed

Checked By: YWZ Date : 06/17/2005